

WORM GEAR BOX

CONTENT

CONTENT	1
INTRODUCTION	2
XJ SERIES (SINGLE STAGE)	5
XJ SERIES (TWO STAGES)	7

INTRODUCTION

High quality, Light weight and Non-rusting

- Trust unit of ductile cast iron consist of thrust bearing and 2 types of drive bush. Threaded bush for multi-turn valve and bore with key bush for quarter turn valve.
- Be detachable to allow easy installation.

Multi Unit Configuration

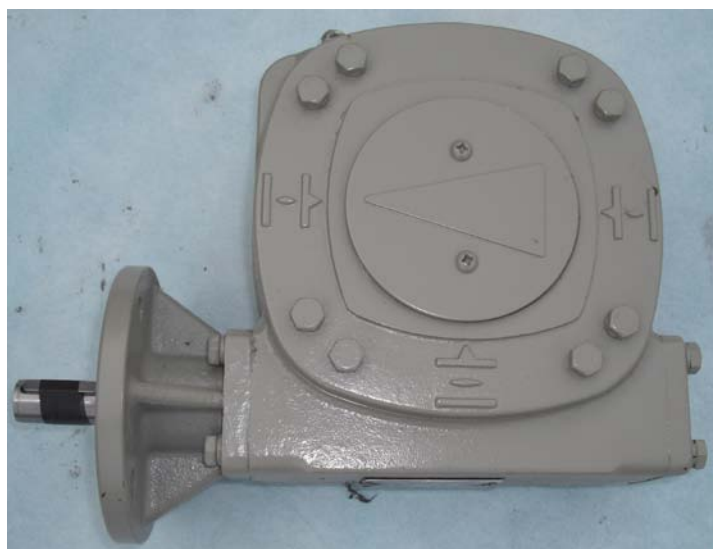
All the compartments are independent of each other, but simple to assemble or disassemble, thus the expansion of function is easy.

Large Output Torque

High torque / low inertia motor rapidly reaches peak torque after starting and stops with little overrun when switched off. The embedded thermostat ensures accurate temperature sensing to keep the motor's thermal capacity maximum.

Hand-Wheel Special Feature

- Hand-wheel is side-mounted for all gear boxes to allow easy manual operation.
- Hand-wheel shaft engaged with the worm through an intermediate spur gear to prevent the manual drive parts from the damages may occur during manual operation.



XJ Series Gearbox Sizing

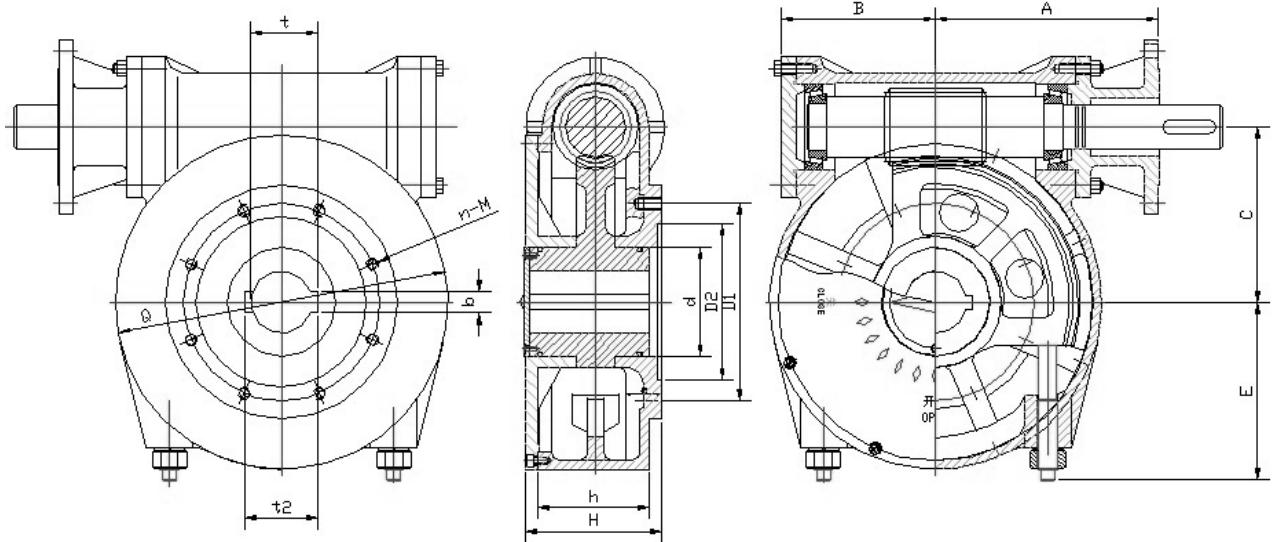
Max Output Torque		Model	Nom Ratio	Max Input Torque		MA	Flange No.	Weight (Kg)
Motor Duty (N.m)	Manual Duty (N.m)			Motor (N.m)				
600	600	XJ6-39	39	60	10	F10	14	
600	N/A	XJ6(2:1)-98	98	24	25	F10	23	
600	N/A	XJ6(2.7:1)-105	105	23	26	F10	23	
600	N/A	XJ6(3.1:1)-122	122	19	31	F10	23	
600	N/A	XJ6(4:1)-156	156	15	39	F10	23	
2000	2000	XJ8-42	42	105.9	15.01	F12	20	
2000	N/A	XJ8(2:1)-84	84	80	25	F12	35	
2000	N/A	XJ8(2.5:1)-105	105	77	26	F12	35	
2000	N/A	XJ8(2.8:1)-120	120	67	30	F12	35	
2000	N/A	XJ8(4:1)-168	168	48	42	F12	35	
6000	6000	XJ12-51	51	462	13	F14, F16	40	
6000	N/A	XJ12(2:1)-102	102	231	26	F14, F16	55	
6000	N/A	XJ12(3.1:1)-158	158	150	40	F14, F16	55	
6000	N/A	XJ12(3.5:1)-178	178	133	45	F14, F16	55	
6000	N/A	XJ12(4:1)-204	204	118	51	F14, F16	55	
15000	15000	XJ16-53	53	1154	13	F25	82	
15000	N/A	XJ16(2.7:1)-143	143	417	36	F25	135	
15000	N/A	XJ16(3:1)-159	159	375	40	F25	135	
15000	N/A	XJ16(3.6:1)-192	192	313	48	F25	135	
15000	N/A	XJ16(4:1)-212	212	283	53	F25	135	
15000	15000	XJ16(5.7:1)-305	305	197	76	F25	95	
15000	15000	XJ16(11.5:1)-609	609	99	152	F25	95	
24000	N/A	XJ18-60	60	1600	15	F25	100	
24000	N/A	XJ18(2.7)-162	162	585	41	F25	155	
24000	N/A	XJ18(3:1)-180	180	533	45	F25	155	
24000	N/A	XJ18(4:1)-240	240	400	60	F25	155	
24000	24000	XJ18(5.7)-345	345	279	86	F25	120	
24000	24000	XJ18(11.5:1)-690	690	139	173	F25	120	
30000	N/A	XJ20-70	70	1667	18	F25	120	
30000	N/A	XJ20(2:1)-140	140	857	35	F25	190	
30000	N/A	XJ20(2.6:1)-182	182	652	46	F25	190	
30000	N/A	XJ20(2.7:1)-189	189	638	47	F25	190	
30000	N/A	XJ20(2.8:1)-192	192	625	48	F25	190	
30000	N/A	XJ20(3:1)-210	210	566	53	F25	190	
30000	N/A	XJ20(4:1)-280	280	429	70	F25	190	
30000	N/A	XJ20(5:1)-350	350	341	88	F25	190	
30000	30000	XJ20(5.7:1)-403	403	297	101	F25	145	
30000	30000	XJ20(11.5:1)-805	805	149	201	F25	145	
50000	N/A	XJ26-71	71	2778	18	F30	251	



Max Output Torque		Model	Nom Ratio	Max Input Torque		Flange No.	Weight (Kg)
Motor Duty (N.m)	Manual Duty (N.m)			Motor (N.m)	MA		
50000	N/A	XJ26(2:1)-142	142	1389	36	F30	385
50000	N/A	XJ26(2.6:1)-185	185	1087	46	F30	385
50000	N/A	XJ26(3:1)-213	213	943	53	F30	385
50000	N/A	XJ26(4:1)-284	284	704	71	F30	385
50000	N/A	XJ26(5:1)-355	355	562	89	F30	385
50000	N/A	XJ26(6:1)-426	426	467	107	F30	385
50000	N/A	XJ26(9:1)-639	639	313	160	F30	385
50000	50000	XJ26(6.5:1)-462	462	506.98	98.64	F30	320
50000	50000	XJ26(13:1)-923	923	373.33	133.93	F30	320
90000	N/A	XJ33-71	71	5000	18	F35	410
90000	N/A	XJ33(2:1)-142	142	2500	36	F35	540
90000	N/A	XJ33(2.6:1)-185	185	1957	46	F35	540
90000	N/A	XJ33(3:1)-213	213	1698	53	F35	540
90000	N/A	XJ33(4:1)-284	284	825.6	96.9	F35	540
90000	N/A	XJ33(5:1)-355	355	1011	89	F35	540
90000	N/A	XJ33(6:1)-426	426	841	107	F35	540
90000	N/A	XJ33(9:1)-639	639	563	160	F35	540
90000	90000	XJ33(6.5:1)-462	462	776	116	F35	475
90000	90000	XJ33(13:1)-923	923	390	231	F35	475
150000	N/A	XJ37-76	76	7895	19	F40	630
150000	N/A	XJ37(2:1)-152	152	3947	38	F40	820
150000	N/A	XJ37(2.5:1)-190	190	3125	48	F40	820
150000	N/A	XJ37(3:1)-228	228	2632	57	F40	820
150000	N/A	XJ37(4:1)-304	304	1974	76	F40	820
150000	N/A	XJ37(5:1)-380	380	1579	95	F40	820
150000	N/A	XJ37(6:1)-456	456	1316	114	F40	820
150000	N/A	XJ37(9:1)-684	684	877	171	F40	820
150000	150000	XJ37(8.2:1)-627	627	955	157	F40	725
150000	150000	XJ37(16.5)-1254	1254	478	314	F40	725
220000	N/A	XJ45-77	77	13158	19	F48	950
220000	N/A	XJ45(2:1)-154	154	6410	39	F48	1110
220000	N/A	XJ45(2.5:1)-192	192	5208	48	F48	1110
220000	N/A	XJ45(3:1)-231	231	4310	58	F48	1110
220000	N/A	XJ45(4:1)-308	308	3247	77	F48	1110
220000	N/A	XJ45(5:1)-385	385	2604	96	F48	1110
220000	N/A	XJ45(6:1)-462	462	1498.64	146.8	F48	1110
220000	N/A	XJ45(9:1)-693	693	1445	173	F48	1110
220000	150000	XJ45(8.2:1)-635	635	1572	159	F48	1020
220000	150000	XJ45(16.5:1)-1270	1270	786	318	F48	1020

XJ SERIES

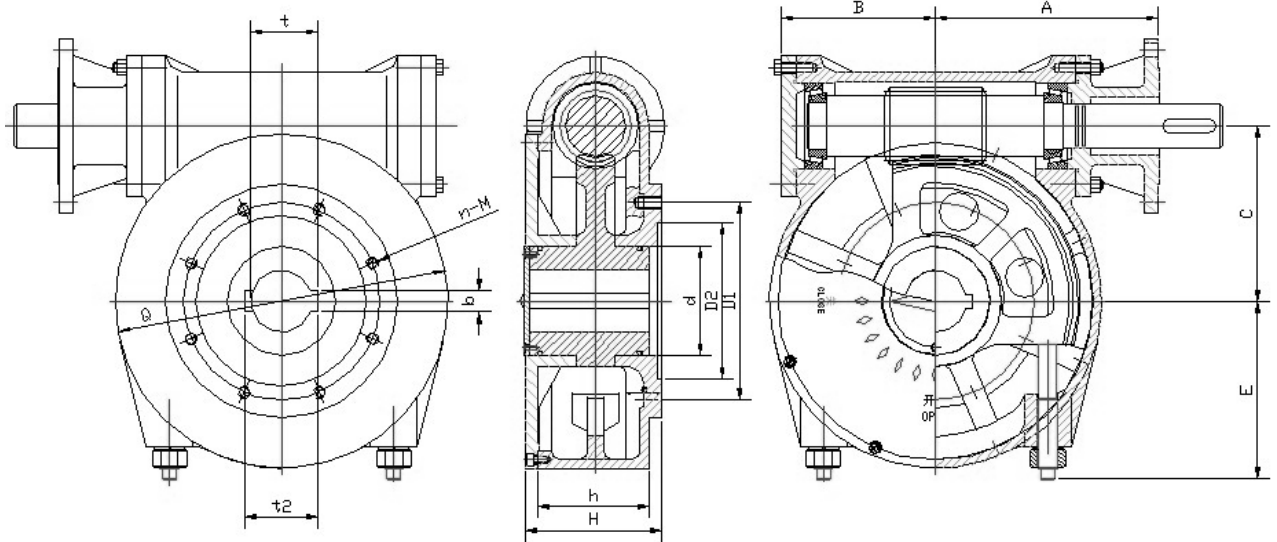
(SINGLE STAGE)



Dimension

Model	XJ6-39/F10	XJ8-42/F12	XJ12-51/F14	XJ12-51/F16	XJ16-53/F25
Flange No.	F10	F12	F14	F16	F25
D	125	150	175	210	300
D ₁	102	125	140	165	254
D ₂	/	/	/	/	230
n-M	4-M10	4-M12	4-M16	4-M20	8-M18
d	25	35	40-50	50	55-60
h	50	70	80	90	100
Q	154	190	280	280	345
A	160	175	195	195	260
B	75	90	152	152	180
C	63	80	125	125	160
E	96	115	165	165	197
H	86	102	130	130	152
Weight (kg)	14	33	55	55	82
Ratio	39:1	42:1	51:1	51:1	53:1
Rotate Travel	90°	90°	90°	90°	90°
Limited Adjust	±5°	±5°	±5°	±5°	±5°

SINGLE STAGE

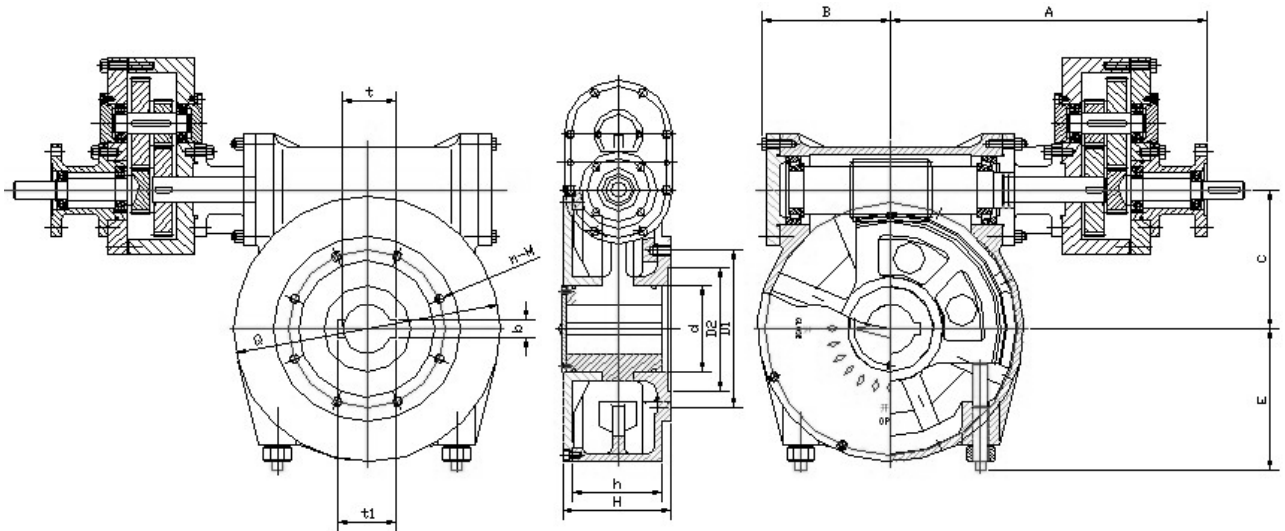


Dimension

Model	XJ20-70/F25	XJ26-71/F30	XJ33-71/F35	XJ37-76/F40	XJ45-77/F48
Flange No.	F25	F30	F35	F40	F48
D	300	350	415	475	560
D ₁	254	298	356	460	483
D ₂	200	230	260	300	370
n-M	8-M16	8-M20	8-M30	8-M36	12-M36
d	70-80	90-110	120-150	160-200	200-250
h	120	160	180	220	240
Q	425	510	666	720	880
A	280	350	390	415	460
B	200	232	284	315	360
C	200	263	337	373	451
E	230	270	270	360	440
H	155	200	215	255	274
Weight (kg)	120	251	410	630	950
Ratio	70:1	71:1	71:1	76:1	77:1
Rotate Travel	90°	90°	90°	90°	90°
Limited Adjust	±5°	±5°	±5°	±5°	±5°

XJ SERIES

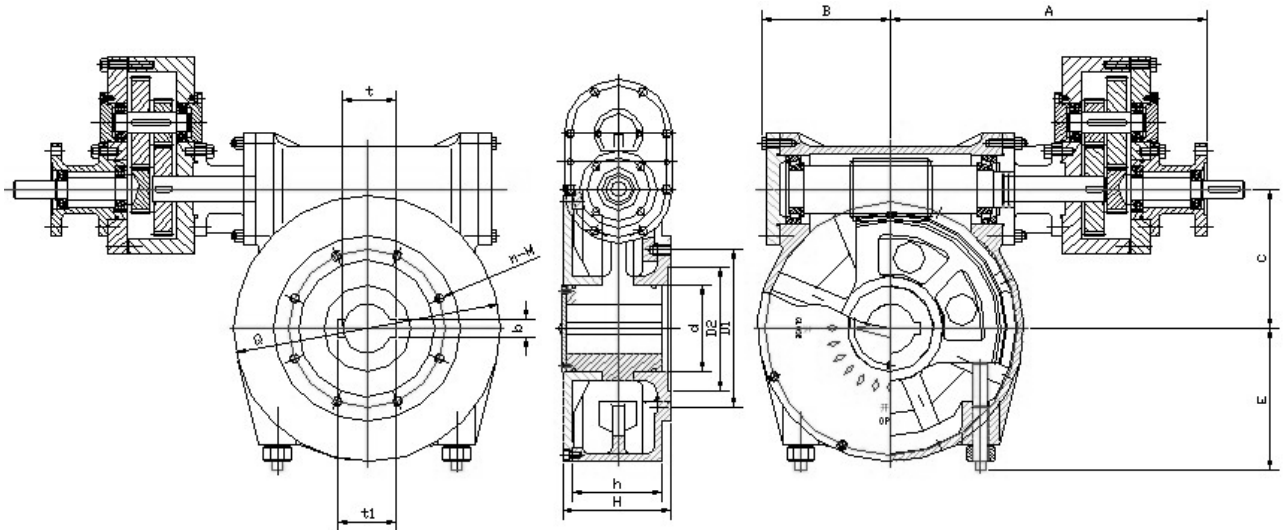
(TWO STAGES)



Dimension

Model	XJ6(2:1)-78/F10	XJ8(2:1)-84/F12	XJ12(3:1)-153/F14	XJ12(3:1)-153/F16	XJ16(3:1)-159/F25
Flange No	F10	F12	F14	F16	F25
D	125	150	175	210	300
D ₁	102	125	140	165	254
D ₂	/	/	/	/	230
n-M	4-M10	4-M12	4-M16	4-M20	8-M18
d	25	35	40-50	50	55-60
h	50	70	80	90	100
Q	154	190	280	280	345
A	225	245	300	300	410
B	75	90	152	152	180
C	63	80	125	125	160
E	96	115	165	165	197
H	86	102	130	130	152
Weight (kg)	14	33	55	55	82
Ratio	39:1	42:1	51:1	51:1	53:1
Spur Gear Ratio	2:1	2:1	3:1	3:1	3:1
Rotate Travel	90°	90°	90°	90°	90°
Limited Adjust	±5°	±5°	±5°	±5°	±5°

TWO STAGE



Dimension

Model	XJ20(4:1)-280/F25	XJ26(4:1)-284/F30	XJ33(4:1)-284/F35	XJ37(6:1)-456/F40	XJ45(6:1)-462/F48
Flange No.	F25	F30	F35	F40	F48
D	300	350	415	475	560
D ₁	254	298	356	460	483
D ₂	200	230	260	300	370
n-M	8-M16	8-M20	8-M30	8-M36	12-M36
d	70-80	90-110	120-150	160-200	200-250
h	120	160	180	220	240
Q	425	510	666	720	880
A	430	592	632	685	730
B	200	232	284	315	360
C	200	263	337	373	451
E	230	270	270	360	440
H	155	200	215	255	274
Weight (kg)	120	251	410	630	950
Ratio	70:1	71:1	71:1	76:1	77:1
Spur Gear Ratio	3:1 / 4:1	3:1 / 4:1 / 6:1	3:1 / 4:1 / 6:1	2:1 / 3:1 / 4:1 / 6:1 / 9:1	2:1 / 3:1 / 4:1 / 6:1 / 9:1
Rotate Travel	90°	90°	90°	90°	90°
Limited Adjust	±5°	±5°	±5°	±5°	±5°